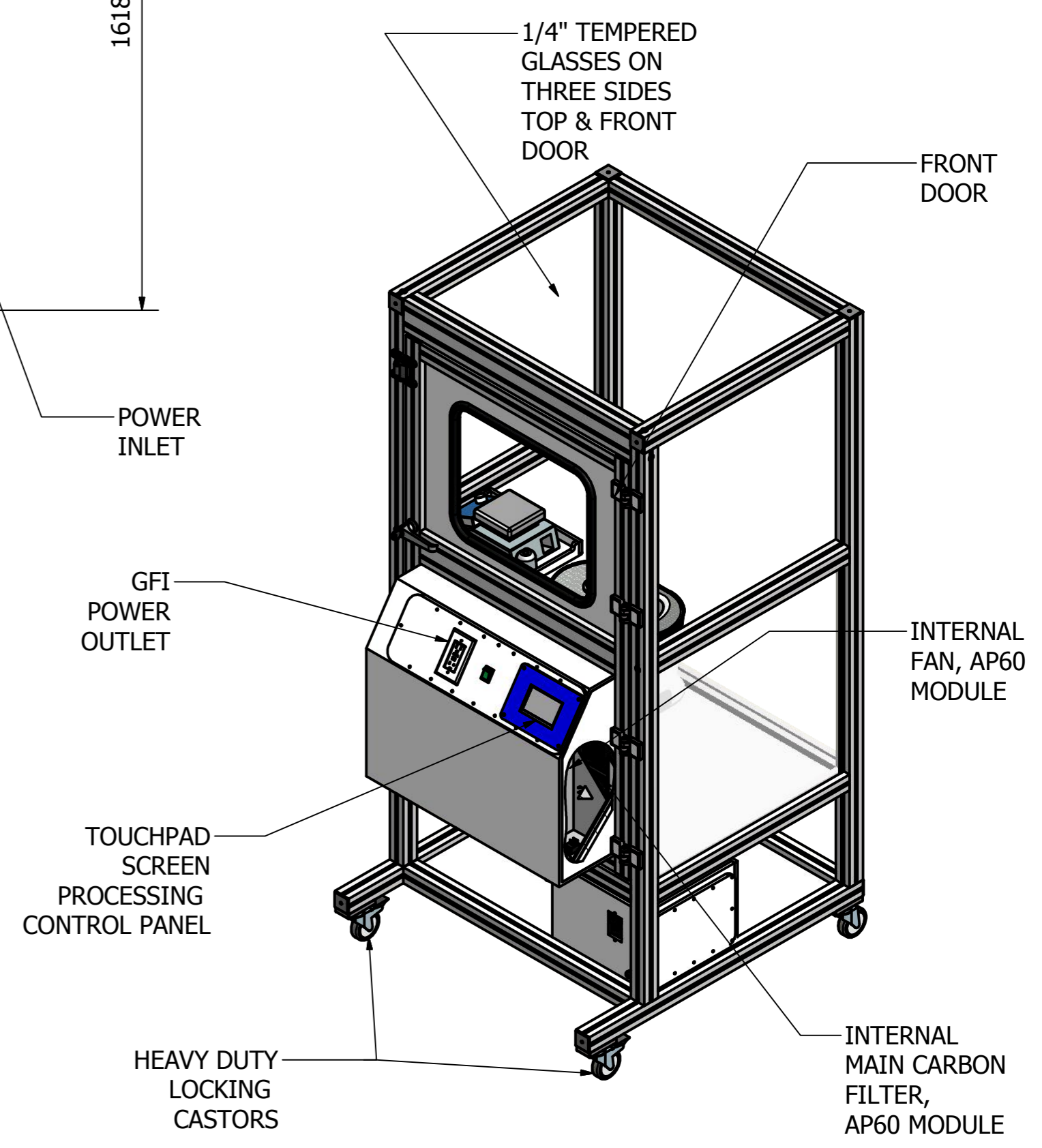


- NOTES :**
- 1.0 CUSTOMER:
 - 2.0 SUBMIT DRAWINGS FOR APPROVAL.
 - 3.0 STANDARD FEATURES INCLUDE:
 - 3.1 CABINET BUILT WITH ALUMINUM EXTRUDE WATERTIGHT INSIDE.
 - 3.2 FRONT, TOP SIDES AND DOOR WITH TEMPERED GLASS.
 - 3.3 CARBON MAIN FILTER.
 - 3.4 POWER SUPPLY 120 V 60 HZ.
 - 3.5 HOT PLATE ACCELERATOR.
 - 3.6 NEBULIZER / HUMIDIFIER.
 - 3.7 STANDARD ACCESORIES APPLIED.
 - 3.8 MICROPROCESSOR SCREEN TOUCH PAD CONTROL PANEL.
 - 4.0 W/O



A-A (1 : 12)

Designed by CFG	Checked by	Approved by	Date 6/19/2019	Date
AIR SCIENCE USA		ARV-33T		
ARV33T-Gassy			Edition	Sheet 1 / 1